

双波段热成像高速一体化云台摄像机

Dual Bands Thermal Imaging Integrated High Speed PTZ Camera

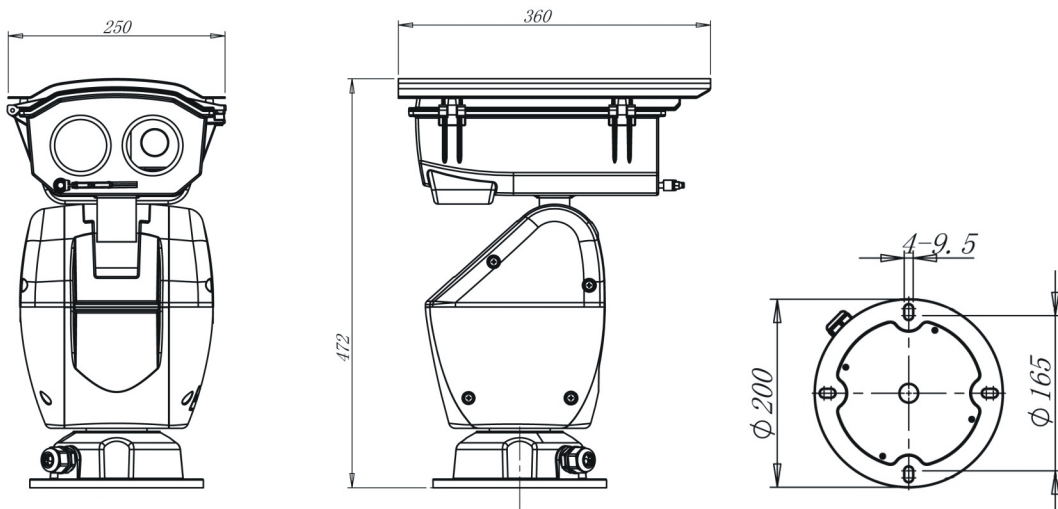
AU-F19-HD



关键特点 Features

- ▶ 一体化无外露线的云台和防护罩
- ▶ 夜间采用324X256高灵敏度大口径非制冷热成像
- ▶ 白天采用30倍SONY高性能1/2.8"200万像素摄像机
- ▶ 夜间观察距离1KM, 白天观察距离1.2KM
- ▶ 防护罩侧面开启设计, 防护等级达IP67
- ▶ 支持远程在线升级
- ▶ 水平360° 旋转, 速度达0.1° -100° /S
- ▶ 垂直-90° -+40°, 速度达0.1° -100° /S
- ▶ 预置位精度 ±0.02度
- ▶ 3D定位功能
- ▶ 5种扫描方式, 17条带速度记忆的扫描轨迹
- ▶ 多种网络监控方式相结合(手机、WEB、客户端), 支持ONVIF2.2
- ▶ 可选配超低待机功耗功能, 待机功率<15W (加热器关)
- ▶ AC24V/DC24V双电源输入
- ▶ Without exposed line for PTZ and housing
- ▶ Use 324X256 high sensitivity of large diameter uncooled thermal for night imaging
- ▶ The day 30X SONY high performance 1/2.8" 2Mega pixel camera
- ▶ Night object distance is 1KM, daytime object distance is 1.2KM
- ▶ Housing is the side open, Protection class: IP67
- ▶ Support for remote online upgrade
- ▶ 360° horizontal rotation at up to 0.1° - 100° /s
- ▶ -90° - +40° vertical rotation at up to 0.1° - 100° /s
- ▶ Preset positions accuracy ± 0.02°
- ▶ 3D positioning function
- ▶ Scanning has 5 groups, speed memory tracking has 17 groups
- ▶ Multiple network methods,(mobile phone, WEB, client), support Onvif 2.2
- ▶ Support the standby power consumption is low than 15W (heater is close) (Optional)
- ▶ AC24V & DC24V double power input

简图 Dimension(单位Units:mm)



规格 Specification

型号Model	AU-F19-HD30D-50
探测器类型Detector type	非制冷氧化钒焦平面阵列Uncooled vox focal plane array
有效像素Effective pixels	324 × 256
光谱范围Spectral range	7.5 ~ 14 μm
热灵敏度Thermal sensitivity	50mK@F1.0
镜头焦距The focal length of the lens	50mm
图像传感器Image sensor	1/2.8" CMOS
有效像素Effective pixels	1920 × 1080
水平解析度Horizontal resolution	1000TVL(彩色color)
光学倍率Optical zoom	30X
焦距Focus	f4.3 – 129mm
最低照度Min. illumination	彩色color: 0.05Lux 黑白B/W: 0.005Lux
透雾功能Through fog	支持Support
增益控制Gain control	自动/手动Auto/manual
白平衡White Balance	自动/手动/跟踪Auto/Manual/Tracking
数字变倍Digital zoom	16X
背光补偿Backlight compensation	开/关ON/OFF
电子快门Electronic shutter	1/1 ~ 1/30000
光圈控制Iris control	手动/自动Manual/Auto
宽动态Wide dynamic	支持Support
数字降噪Digital noise reduction	支持Support
信噪比S/N ratio	> 50dB (AGC Off)
画面翻转Picture flip	支持Support
曝光补偿Exposure compensation	支持Support
日夜模式D/N type	手动/自动Manual/Auto
WEB菜单WEB menu	支持Support
开机自检Self-checking	有, 自动停止到1号预置位Yes, auto to preset 1
预置位Preset position	256个
通讯方式Communication methods	485双向传输485 Two-way transmission
远程在线升级Remote online upgrade	支持Support
可编程预置位扫描 Programmable preset tracking	4条, 可以独立设定预置位旋转速度4 groups, every preset position can be set the turning speed
自学习轨迹Patrol	4条, 轨迹回放带速度记忆4 groups, has the speed memory when the playback
两点间扫描P2P Scan	4条, 可以独立设定旋转速度4 groups, Can be set the rotation speed independently
360度扫描360° auto-pan	1条, 可以设定旋转速度1group, Can be set the rotation speed
水平垂直扫描Horizontal vertical scanning	4条, 可以独立设定旋转速度4 groups, Can set the rotation speed independently
电子手动限位Electronic manual limit	可设置水平/垂直Pan/Tilt can be setting
自动归位Auto back home	可设置6种模式6 kinds of patterns can be setting
水平范围Pan range	360° 旋转 360° endless
水平速度Pan speed	0.1° – 100° /s
垂直范围Tilt range	-90° – +40°
垂直速度Tilt speed	0.1° – 100° /s
预置位精度Preset positions accuracy	±0.02°
预置位精度辅助装置 Preset positions accuracy assist device	两个力矩增强弹簧Two moment of spring
预置位精度恢复 Preset positions accuracy recovery	开/关ON/OFF
3D定位3D positioning	支持Support
精确定位Accurate positioning	支持Support
长焦限速Long-focus speed limit	云台转速随镜头倍率自动调整PTZ speed follow with the lens zoom
断电记忆Power off memory	支持Support
雨刷Wiper	内置Built-in
风扇/加热器Fan/heater	自动Auto
远程复位Remote reset	支持摄像机/云台Support camera/PTZ

辅助开关Auxiliary switch	1路输入,2路继电器输出1-input, 2-relay output
通讯接口Communication interface	1路10M/100M自适应以太网, RJ45接口.1路RS485接口 1-10 M / 100 M adaptive Ethernet, RJ45 interface, 1-RS485 interface
报警(可选)Alarm(optional)	2路输入1路输出,可联动预置点/自动巡航/自动巡迹/自动线扫/开关量输出 2-input 1-output, Can Linkage preset position /automatic tracking/automatic cruise/ automatic scan/relay output
音频(可选)Audio(optional)	1路输入1路输出1-input, 1-output
模拟视频Analog video	1路输出1-output
系统资源System resources	同时支持实时网络监视、本地录像和远程操作 Support real-time network monitoring, local video and remote operation in the same time
用户接口User interface	ONVIF、WEB、DSS、PSS等远程操作界面 Support ONVIF, WEB, DSS, PSS
视频分辨率Video resolution	主码流 (1920 X 1080) , 辅码流 (D1) Main stream (1920 X 1080) , Auxiliary stream (D1)
本地存储The local store	SD卡, 支持热插拔SD card, support hot plug
系统状态The system state	SD卡状态信息, 码流统计, 日志记录, 软件版本, 在线用户 SD card state information, code flow statistics, logging, software version, online users
音频压缩标准 Audio compression standard	G.711A/G.711Mu/PCM
网络协议Network protocol	支持HTTP, TCP/IP, UDP, DNS, DDNS, PPPOE等协议 Support HTTP, TCP/IP, UDP, DNS, DDNS, PPPOE etc. Network protocols
视频压缩标准 Video compression standard	H.264/H.264B/H.264H/MJPEG
静电/浪涌保护 Electrostatic/surge protection	GB/T17626.5-2008
云台防护等级PTZ protection class	IP66
防护罩防护等级Housing protection class	IP67
电源Power supply	AC24V /DC24V双电源输入AC24V /DC24V double power input
功率Power consumption	60W (25W加热器打开) (可选: 超低待机功耗<15W- 加热器关) 60W(25W heater ON) (optional ultra low standby power consumption<15W, heater OFF)
工作温度Operation temperature	-30℃ - +60℃ (可选optional: -50℃ - +60℃)
环境湿度Environmental humidity	0-90% 无冷凝 (non-condensing)
外形尺寸Dimension	250 × 472 × 360mm(W × H × L)
产品重量Weight	20KG

电源适配器(选配) Power Adapter (Optional)

品名Items	型号Model	对应云台Apply PTZ	功率Power
220V-24V交流电源 AC220V-AC24V	AU-S27	AU-F19	3A