

# HD-SDI (红外)高速一体化云台摄像机 HD-SDI (IR) Integrated High Speed PTZ Camera

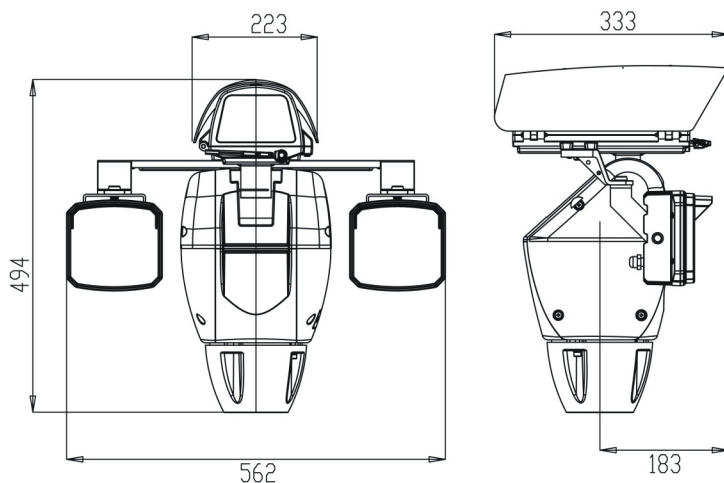
## AU-G56-SDI series



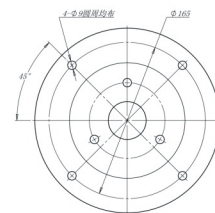
### 关键特点 Features

- 一体化无外露线的云台和防护罩
- 采用SONY高性能327万CMOS图像传感器
- 最高支持1920\*1080的HD-SDI视频输出
- 超级宽动态效果和图像降噪功能
- 防护罩侧面开启设计, 防护等级达IP67
- 支持远程在线升级
- 双侧LED光源挂载, 可选配多种LED阵列红外灯或LED阵列白光灯
- 水平360° 旋转, 速度达0.1° - 100° /S
- 垂直-90° - +40°, 速度达0.1° - 100° /S
- 预置位精度 ± 0.02度
- 3D定位功能
- 5种扫描方式, 17条带速度记忆的扫描轨迹
- 可选配超低待机功耗功能, 待机功率 < 15W (加热器关和红外灯关)
- AC24V/DC24V双电源输入
- 可在风速144公里下正常工作, 最多可承受208公里的风速
- Without exposed line for PTZ and housing
- SONY high performance 3.27Mega pixel CMOS image sensor
- Can support 1920 \* 1080 of HD-SDI video output
- Super wide dynamic effect and image noise reduction function
- Housing opens by side, Protection class is IP67
- The LED lamps are both of side, can choose many kinds of LED lamp or white lamp
- 360° horizontal rotation at up to 0.1° - 100° /s
- -90° - +40° vertical rotation at up to 0.1° - 100° /s
- Preset positions accuracy is ± 0.02°
- 3D positioning function
- Scanning has 5 groups, speed memory tracking has 17 groups
- Support the standby power consumption is low than 15W (heater & IR lamps are close) (Optional)
- AC24V & DC24V double power input
- Can be working under the winds speed does not big than 144 kilometers; Can be bear the biggest winds speed 208 kilometers

### 简图 Dimension (单位Units:mm)



### 柱装底盘尺寸 Column mounted chassis size



## 规格 Specification

型号Model	AU-G56-SDI20D	AU-G56-SDI30D
图像传感器Image sensor	1/2.8" CMOS	1/2.8" CMOS
有效像素Effective pixels	1920 X 1080	1920 X 1080
水平解析度Horizontal resolution	1000TVL(彩色color)	1000TVL(彩色color)
光学倍率Optical zoom	20X	30X
焦距Focal length	f4.7-94mm	f4.3-129mm
最低照度Min. illumination	彩色color: 0.05Lux 黑白B/W: 0Lux (红外灯开启infrared lamps open)	彩色color: 0.05Lux 黑白B/W: 0Lux (红外灯开启infrared lamps open)
透雾功能Through fog	--	支持Support
增益控制Gain control	自动/手动Auto/Manual	
白平衡White Balance	自动/手动/跟踪/室外/室内/室外自动Auto/Manual/Tracking/Outdoor/Indoor/Outdoor auto	
数字变倍Digital zoom	16X	
背光补偿Back light compensation	开/关ON/OFF	
电子快门Electronic shutter	1/1 ~ 1/30000	
光圈控制Iris control	手动/自动Manual/Auto	
宽动态Wide dynamic	支持Support	
数字降噪Digital noise reduction	支持Support	
信噪比S/N ratio	> 50dB ( AGC Off, Weight ON )	
画面翻转Picture flip	支持Support	
曝光补偿Exposure compensation	支持Support	
视频输出格式Video Output format	1080P/30 1080P/25 1080i/60 1080i/50 720P/60 720P/50 720P/30 720P/25	
开机自检Self-checking	有, 自动停止到1号预置位Yes, stop to preset 1 automatic	
OSD菜单OSD menu	有 ( 云台/摄像机 ) Yes ( PTZ/camera)	
LED照明 (可选)LED lamps(optional)	双侧挂载, 150米 或250米both sides, 150m or 250m	
LED波长LED wavelength	850nm ( 可选: 940nm或白光 ) 850nm(optional 940nm or white lamps)	
LED照明控制LED lamps control	支持分组打开/手动Support packet open / manual	
LED照明开启/关闭 LED lighting open/close	与摄像机联动/光敏自动/手动With the camera linkage/photosensitive auto/manual	
预置位Preset position	256个	
通讯方式Communication methods	485双向传输485 two-way transmission	
远程在线升级Remote online upgrade	支持Support	
通讯协议Communication protocol	P-P/D(2400, 4800, 9600)	
通讯地址Communication address	512个	
可编程预置位扫描 Programmable preset tracking	4条,可以独立设定预置位旋转速度4 groups, every preset position can be set the turning speed	
自学习轨迹Patrol	4条, 轨迹回放带速度记忆4 groups, has the speed memory when the playback	
两点间扫描P2P scan	4条, 可以独立设定旋转速度4 groups, can be set the rotation speed independently	
自动扫描Auto-pan	1条,可以设定旋转速度1 group, can be set the rotation speed	
水平垂直扫描 Horizontal vertical scanning	4条,可以独立设定旋转速度4 groups, can set the rotation speed independently	
电子手动限位Electronic manual limit	可设置水平/垂直Pan/Tilt can be setting	
自动归位Auto back home	可设置6种模式6 kinds of patterns can be setting	
水平范围Pan range	360° 旋转 360° endless	
水平速度Pan speed	0.1° - 100° /s	
垂直范围Tilt range	-90° - +40°	
垂直速度Tilt speed	0.1° - 100° /s	
预置位精度Preset positions accuracy	± 0.02°	
预置位精度辅助装置 Preset positions accuracy assist device	两个力矩增强弹簧Two moment of spring	
预置位精度自动恢复 Preset positions accuracy auto recover	开/关ON / OFF	
3D定位3D positioning	支持Support	
长焦限速Long-focus speed limit	云台转速随镜头倍率自动调整PTZ speed follow with the lens zoom	
断电记忆Power off memory	支持Support	

雨刷Wiper	内置Built-in
风扇/加热器Fan/heater	自动Auto
远程复位Remote reset	支持摄像机/云台Support camera/PTZ
报警(可选)Alarm(optional)	4路输入2路输出4-input, 2-output
辅助开关Auxiliary switch	1路输入,2路继电器输出1-input, 2-relay output
静电/浪涌保护 Electrostatic/surge protection	GB/T17626.5-2008
云台防护等级PTZ protection class	IP66
防护罩防护等级 Housing protection class	IP67
电源Power supply	AC24V / DC24V双电源输入 ( 可选AC220V电源输入 ) AC24V / DC24V double power input(optional AC220V input)
功率Power consumption	60W ( 加热器25W ) ( 可选: 超低待机功耗<15W- 加热器关和红外灯关 ) 60W (Heater is 25W) (optional : low standby power consumption<15W, heater and LED lamps are OFF)
工作温度Operation temperature	-30℃ - +60℃ ( 可选optional: -50℃ - +60℃ )
环境湿度Environmental humidity	0~ 90% 无冷凝 ( non-condensing )
外形尺寸Dimension	223 × 494 × 333mm(W × H × L) 562 × 494 × 333mm(W × H × L) (加红外灯) (with IR lamps)
产品重量Weight	19KG/ 22KG(加红外灯) (with IR lamps)